

## Technical Bulletin # 64

**To:** Coulometrics Support Personnel

**From:** Applications Department

**Date:** 9-14-2006

**Subject:** CM5200 Carousel Erratic Movement

---

**Purpose:** This document is intended to assist in trouble shooting the CM5200.

**Problem:** Carousel hub does not move smoothly from sample position to sample position or does not move at all.

### Causes and Corrections:

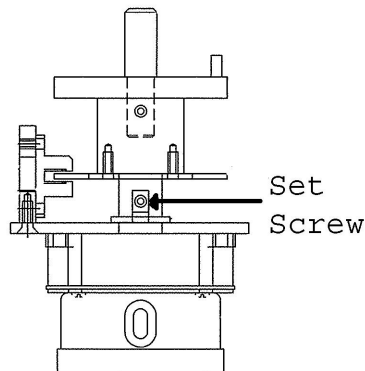
#### Causes:

1. Carousel hub attached to carousel motor shaft may be loose.
2. Carousel motor may be defective. (Contact UIC, Inc., for help.)
3. Optical switch may be defective. (Contact UIC, Inc., for help.)

#### Corrections:

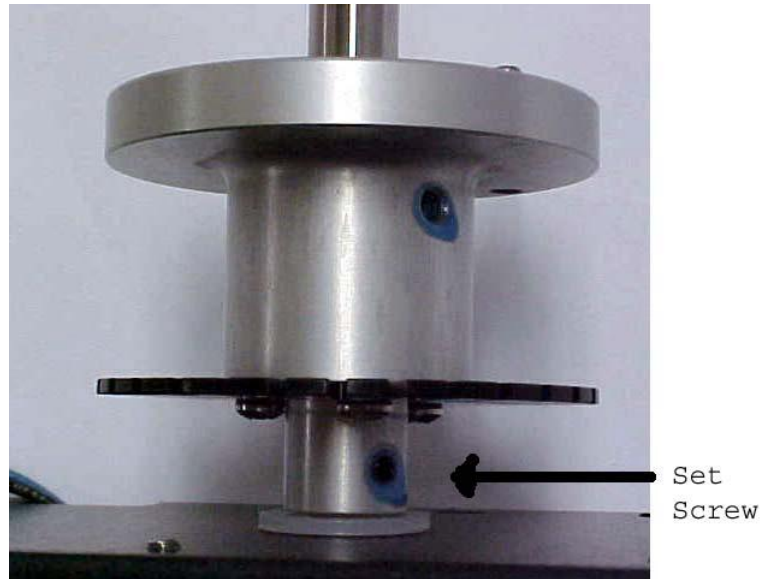
1. Facing the front of the CM5200 remove the six screws and washers securing the left side panel to the base unit.
2. Turn the instrument 90° to the right to view and access the carousel motor assembly at the top of the instrument. Figure 1 illustrates the carousel motor assembly you will be looking for.

**Figure 1**



3. On the front of the instrument press the 'Full Cycle' rocker switch repeatedly until the hub set screws are visible. Figure 2.

**Figure 2**



4. Unplug the instrument from the power source before proceeding.
5. Insert a 1/16 hex key into the setscrew in the lower portion of the hub connected to the hub motor and tighten the setscrew securely.
6. Connect the instrument to a power source and turn on the instrument.
7. Repeatedly press the 'Full Cycle' rocker switch on the front of the instrument to be assured the carousel operates correctly.
8. Install the left side panel with the six screws and washers removed in 1, above.